

Apprenticeships Assessment Example Questions



Copyright © 2010 PreVisor, Pty Ltd. All rights reserved.
All trademarks and service marks referenced in these materials are owned by PreVisor Incorporated,
unless otherwise indicated.

Understanding Safety Instructions Examples

Compressed air can cause serious eye injuries. Do not blow compressed air against yourself or any other person. When changing one type of tool for another, turn off the valve. Do not use compressed air for cleaning down unless directed to do so by your supervisor.

E1 What can compressed air cause?

1. A lot of time to be wasted.
2. Serious eye injuries.
3. Leakage in the valves.
4. Difficulty in completing tricky jobs.

E2 What should you do when changing one type of tool for another?

1. Turn off the valve.
2. Blow compressed air to clean down the tool you are going to use.
3. Turn the valve higher to work the tool free.
4. All of the above.

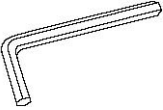
E3 When should you use compressed air for cleaning down?

1. Whenever you have finished a job.
2. Only when directed by your supervisor.
3. Under no circumstances, it is too dangerous.
4. None of the above.

The answer to E1 was 'serious eye injuries. The answer to E2 was 'turn off the valve'. The answer to E3 was 'only when directed by your supervisor'.

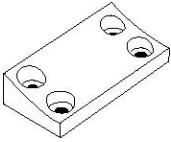
Numerical Calculation Examples

E1.

Unit	Units in Stock at Beginning of Month	Current Monthly Usage	Units in Stock at End of Month
	350	?	150

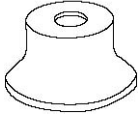
1. 100
2. 240
3. 350
4. 200
5. 500

E2.

Unit	Units in Stock at Beginning of Month	Current Monthly Usage	Units in Stock at End of Month
	95	23	?

1. 90
2. 72
3. 108
4. 75
5. 118

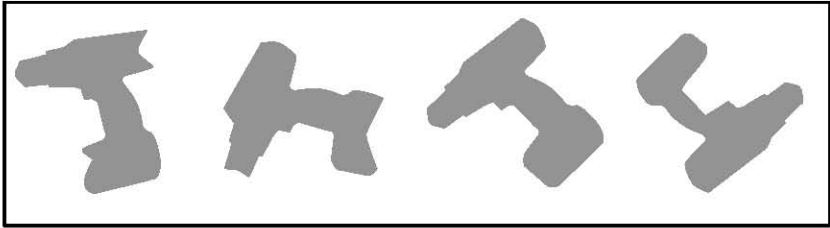
E3.

Unit	Daily Consumption	Number of Days Remaining	Units Required
	3	4	?

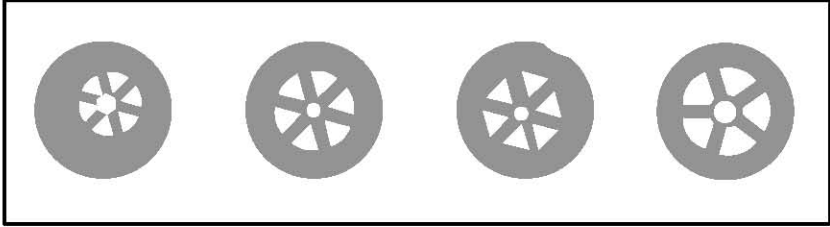
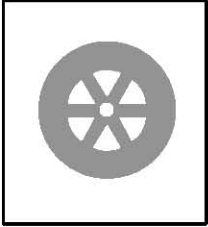
1. 12
2. 10
3. 20
4. 7
5. 34

The answer to E1 is 100. The answer to E2 is 72. The answer to E3 is 12.

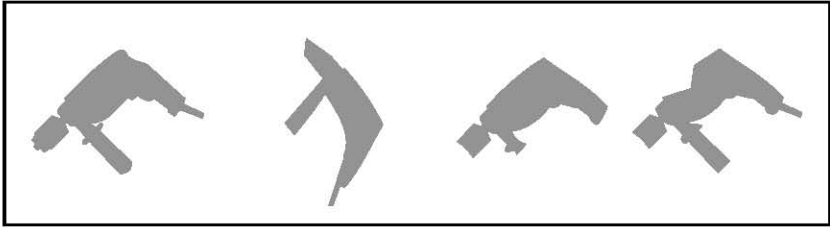
Spatial Recognition Examples



A B C D



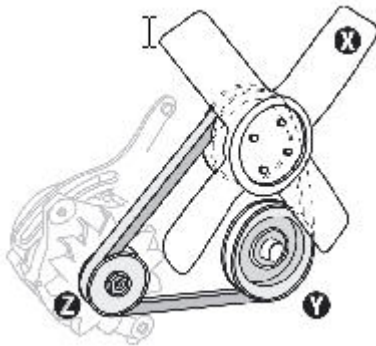
A B C D



A B C D

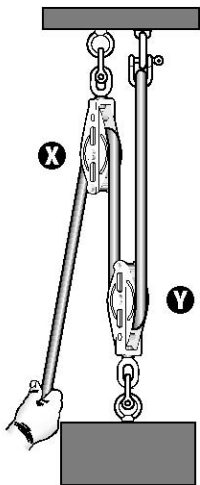
The answer to E1 is option C. The answer to E2 is option B. The answer to E3 is option A.

Mechanical Reasoning Examples



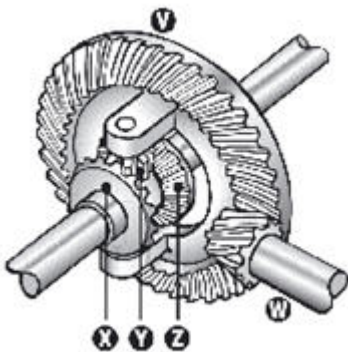
E1. If the belt is rotating clockwise, which component is rotating at the fastest rate?

1. X
2. Y
3. Z
4. Z, Y, and Z rotate at the same rate.



E2. If the belt is rotating clockwise, which component is rotating at the fastest rate?

1. X and Y will spin clockwise
2. X and Y will spin anti-clockwise
3. X will spin clockwise, and Y will spin anti-clockwise
4. X will spin anti-clockwise, and Y will spin clockwise



E3. Drive shaft W is rotating in an anti-clockwise direction. Which of the following must be true?

1. V is rotating anti-clockwise
2. X is rotating clockwise
3. Y is rotating anti-clockwise
4. Y is rotating clockwise

The answer to E1 is option 1. The answer to E2 is option 4. The answer to E3 is option 1.